

DUNPHY

DUNPHY COMBUSTION LTD.

Queensway
Rochdale
England
OL11 2SL



+44 (0) 1706 649217



+44 (0) 1706 655512



www.dunphy.co.uk

DATA SHEET

Model: TH4

Revision Date: November 2004

Output: 600 – 6000 kW

Revision Number: DS.TH4.08



- ◆ All 'TH' series burners are manufactured in accordance with BS EN 267.

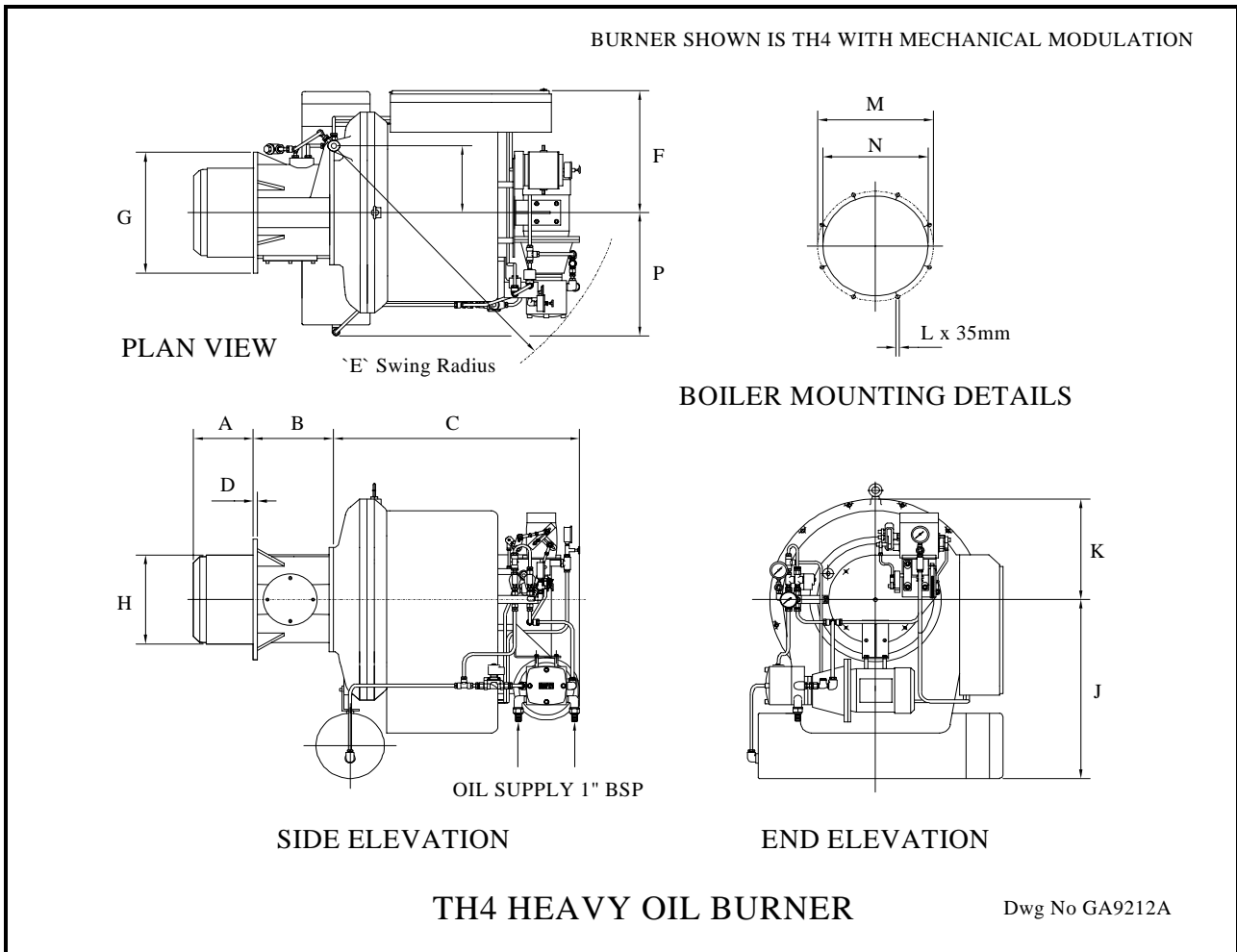


CE



Certificate No. FM 24868
BS EN ISO 9001 : 2000

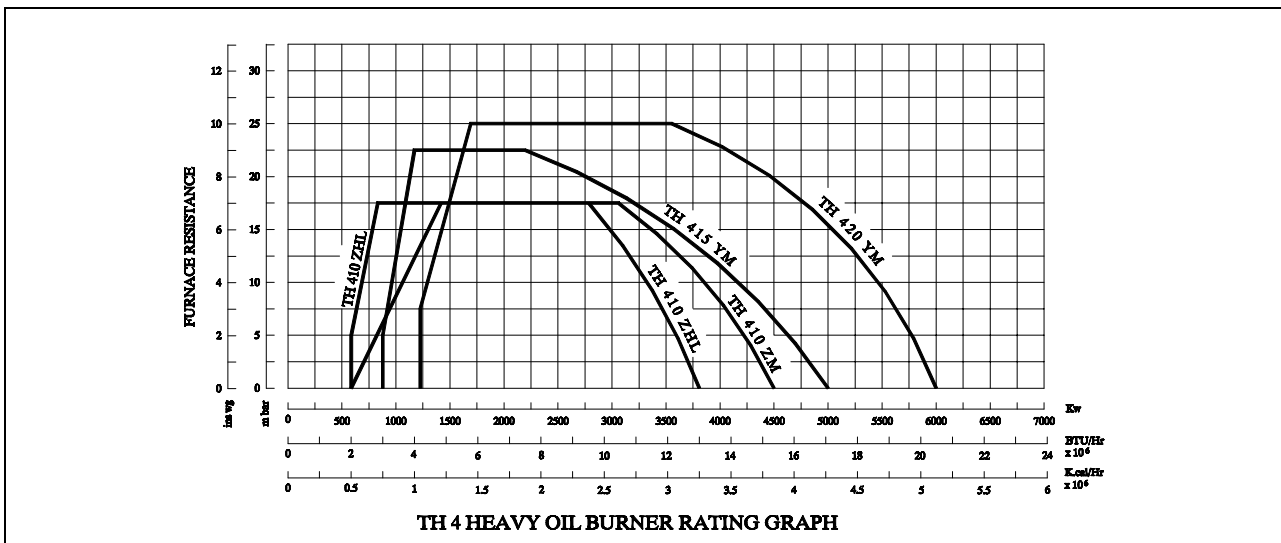
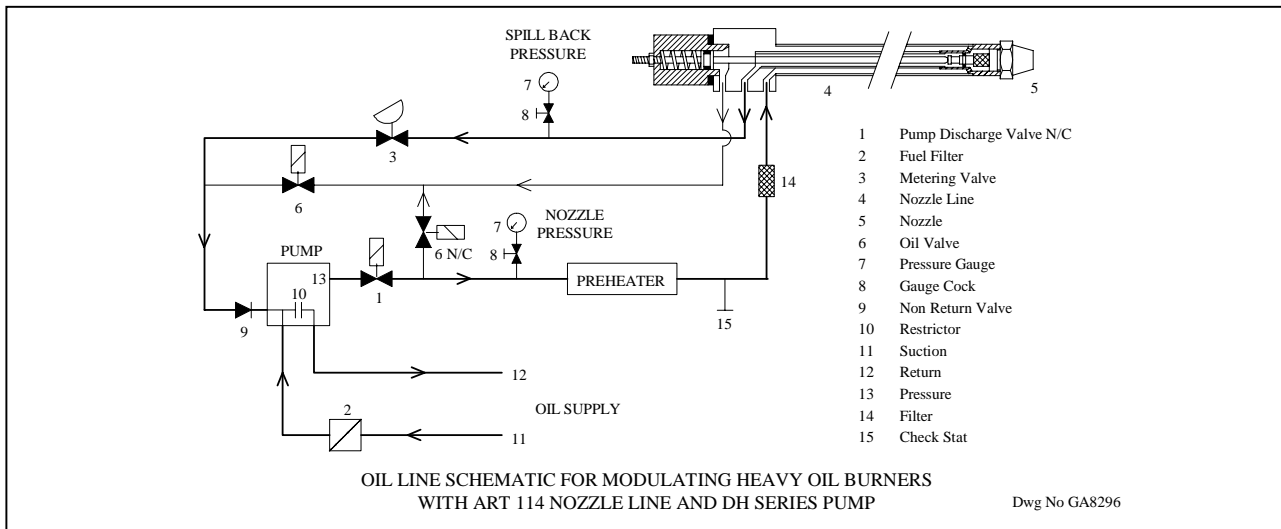
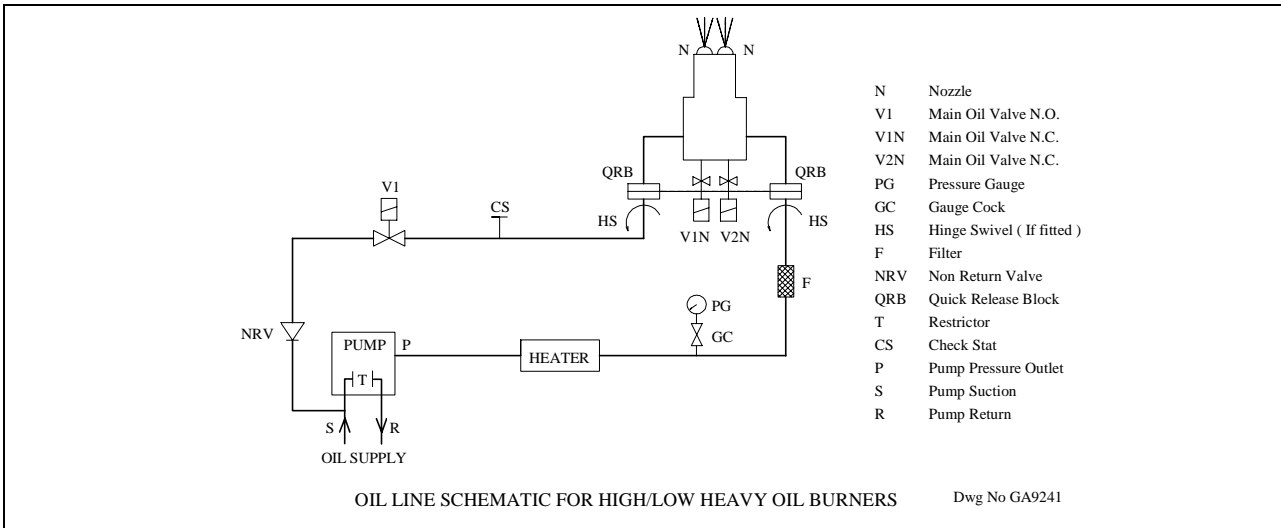
BURNER DIMENSIONS



	A	B	C	D	E	F	G	H	J	K	L	M	N	P	R
TH410Z	230	305	885	16	1020	590	483	355	690	402	M12	440	362	465	267
TH415Y	230	305	885	16	1020	590	483	400	716	402	M12	440	410	490	267
TH420Y	230	305	940	16	1125	590	483	400	716	402	M12	440	410	490	267

- ◆ All dimensions in mm unless otherwise stated.
- ◆ Burner shown is right-hand hinge; left-hand hinge is an available option.
- ◆ Dimension 'A' is the minimum standard dimension and can be varied to suit application, requirements should be stated when unit is ordered.
- ◆ Please check the issue number to ensure validity.
- ◆ Dimension 'E' is the average swing radius; this can vary on non-standard burners.

BURNER RATING GRAPH & SCHEMATICS



STANDARD SPECIFICATION DATA

BURNER TYPE	Firing Rate kW		FIRING MODE OPTIONS			Fan Motor kW	Heater kW	Pump Motor kW	Voltage	Hz	Ph	Running Current	Starting Current	Weight
	MIN	MAX	High / Low	Mechanical Modulation	Electronic Modulation*									
TH410Z	600	4500	✓	✓	✓	7.5	12.0	0.75	380-420	50	3	36.1 A	55.2 A	268
TH415Y	800	5000		✓	✓	11.0	15.0	1.5	380-420	50	3	48.4 A	86.6 A	278
TH420Y	1200	6000		✓	✓	15.0	18.0	2.2	380-420	50	3	61.1 A	116.3 A	283

* Fitted with a Ratiotronic 3000 system

Dunphy Combustion Ltd. has a policy of continuous development and reserve the right to change prices and specifications without prior notice