

# DUNPHY

**DUNPHY COMBUSTION LTD.**

Queensway  
Rochdale  
England  
OL11 2SL



+44 (0) 1706 649217



+44 (0) 1706 655512



[www.dunphy.co.uk](http://www.dunphy.co.uk)

## DATA SHEET

**Model: TH3**

**Revision Date: November 2004**

**Output: 500 – 3050 kW**

**Revision Number: DS.TH3.08**



- ◆ All `TH` series burners are manufactured in accordance with BS EN 267.

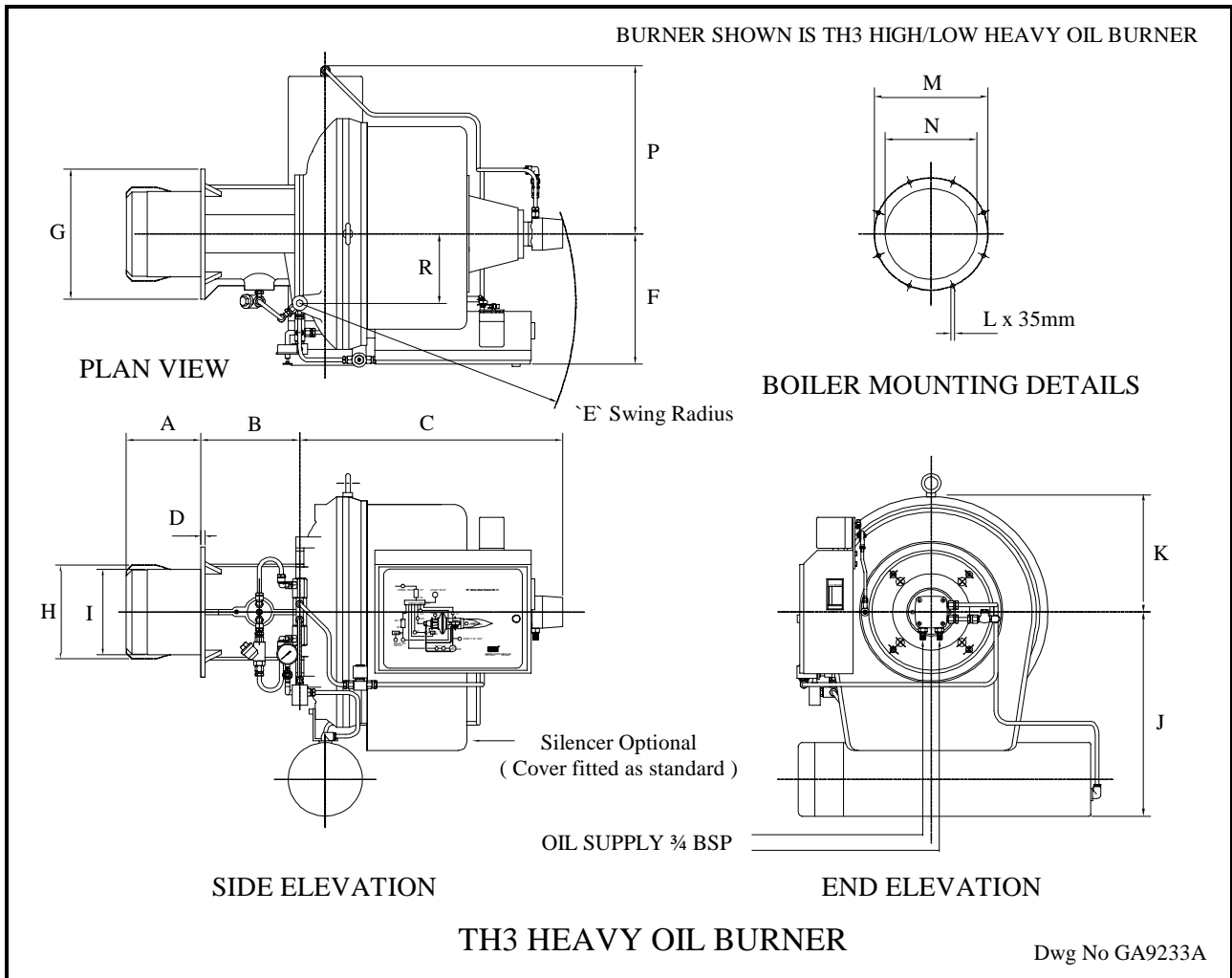


**CE**



Certificate No. FM 24868  
BS EN ISO 9001 : 2000

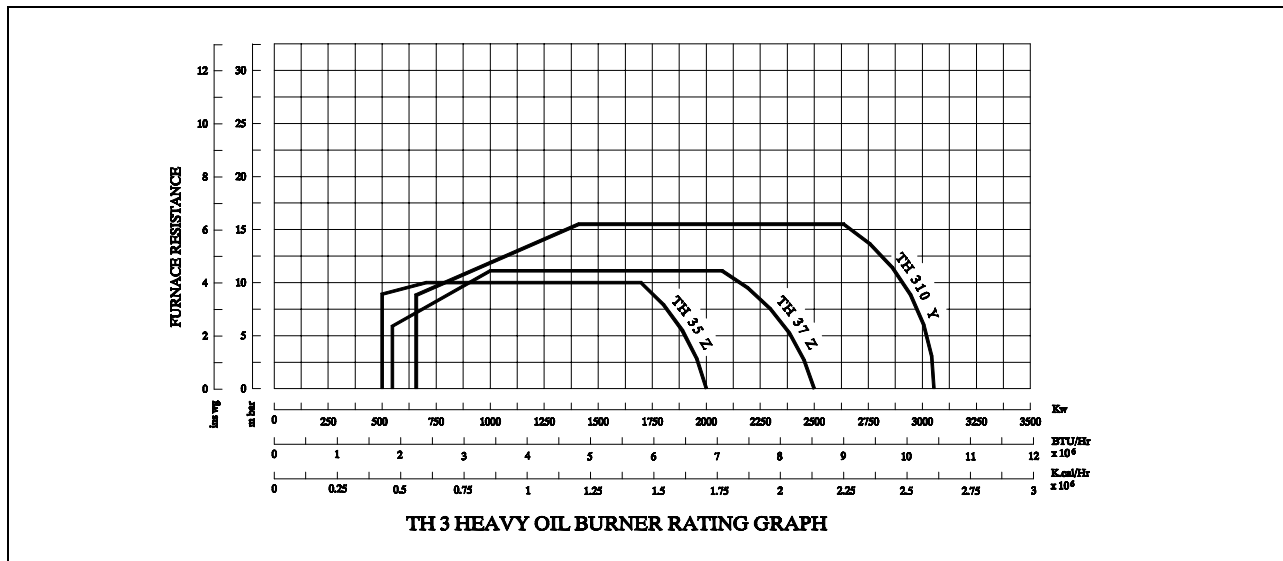
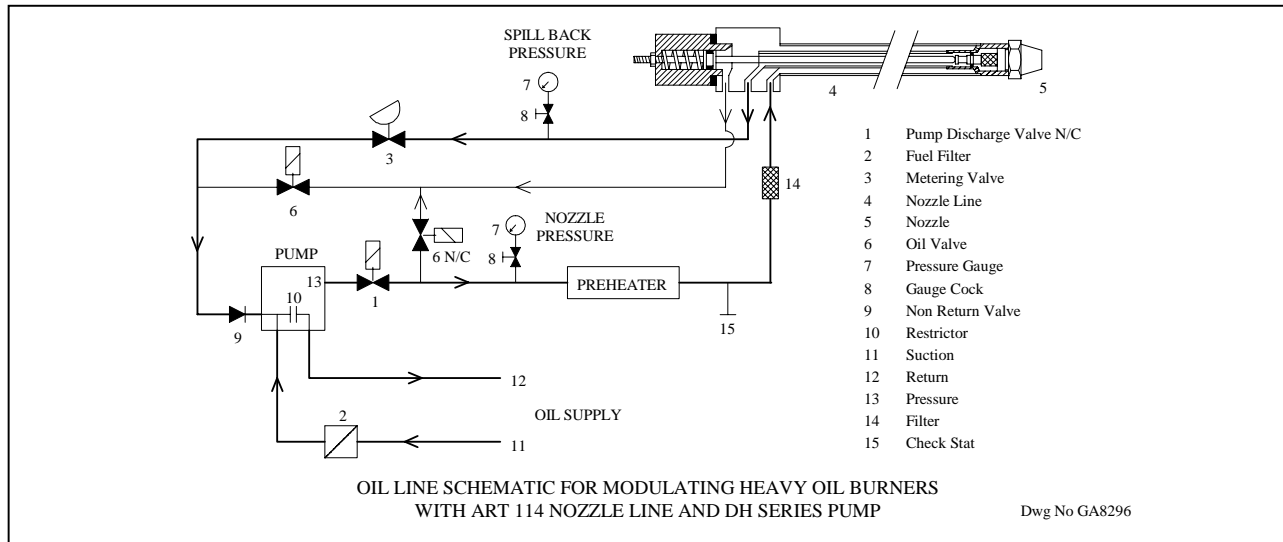
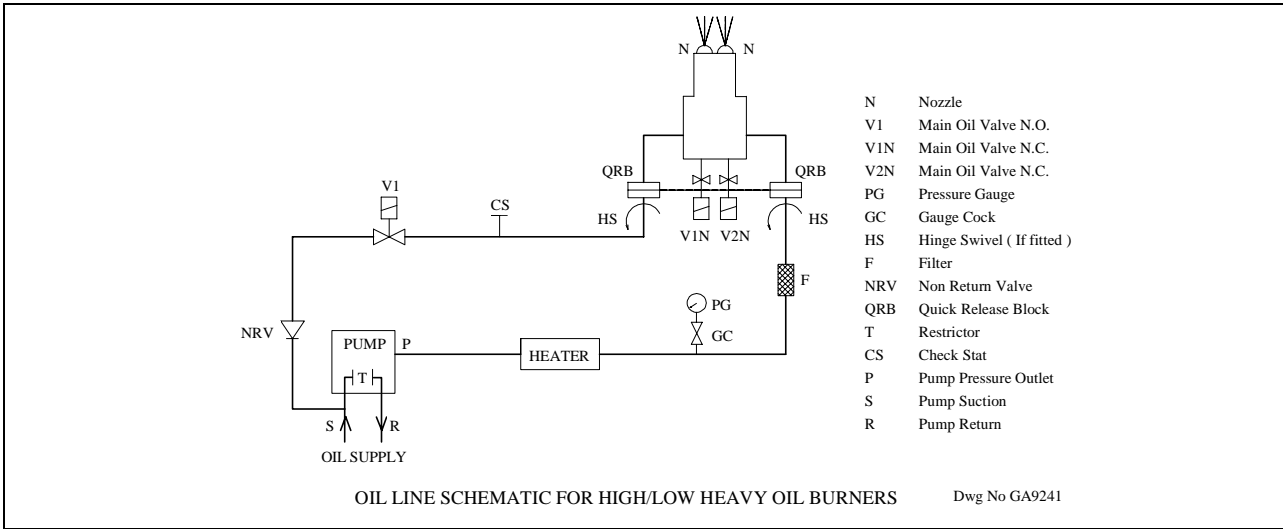
## BURNER DIMENSIONS



	A	B	C	D	E	F	G	H	I	J	K	L	M	N	P	R
<b>TH35Z</b>	230	305	815	16	864	460	406		266	634	360	M12	350	275	400	216
<b>TH37Z</b>	230	305	815	16	864	460	406		266	634	360	M12	350	275	400	216
<b>TH310Y</b>	230	305	815	16	864	460	406	292		634	360	M12	350	310	525	216

- ◆ All dimensions in mm unless otherwise stated.
- ◆ Dimension 'A' is the minimum standard dimension and can be varied to suit application, requirements should be stated when unit is ordered.
- ◆ Dimension 'E' is the average swing radius; this can vary on non-standard burners.
- ◆ Burner shown is right-hand hinge; left-hand hinge is an available option.
- ◆ Please check the issue number to ensure validity.

# BURNER RATING GRAPH & SCHEMATICS



## STANDARD SPECIFICATION DATA

BURNER TYPE	Firing Rate kW		FIRING MODE OPTIONS			Motor kW	Heater kW	Voltage	Hz	Ph	Running Current	Starting Current	Weight
	MIN	MAX	High / Low	Mechanical Modulation	Electronic Modulation*								
TH35Z	500	2000	✓	✓	✓	3.0	9.0	380-420	50	3	20.4 A	57.1 A	206
TH37Z	550	2500	✓	✓	✓	4.0	9.0	380-420	50	3	21.8 A	67.6 A	223
TH310Y	650	3050	✓	✓	✓	5.5	12.0	380-420	50	3	30.6 A	42.2 A	230

\* Fitted with a Ratiotronic 3000 system

Dunphy Combustion Ltd. has a policy of continuous development and reserve the right to change prices and specifications without prior notice