

DUNPHY

DUNPHY COMBUSTION LTD.

Queensway
Rochdale
England
OL11 2SL



+44 (0) 1706 649217



+44 (0) 1706 655512



www.dunphy.co.uk

DATA SHEET

Model: TH2

Revision Date: November 2004

Output: 160 – 1550 kW

Revision Number: DS.TH2.07



- ◆ All 'TH' series burners are manufactured in accordance with BS EN 267.

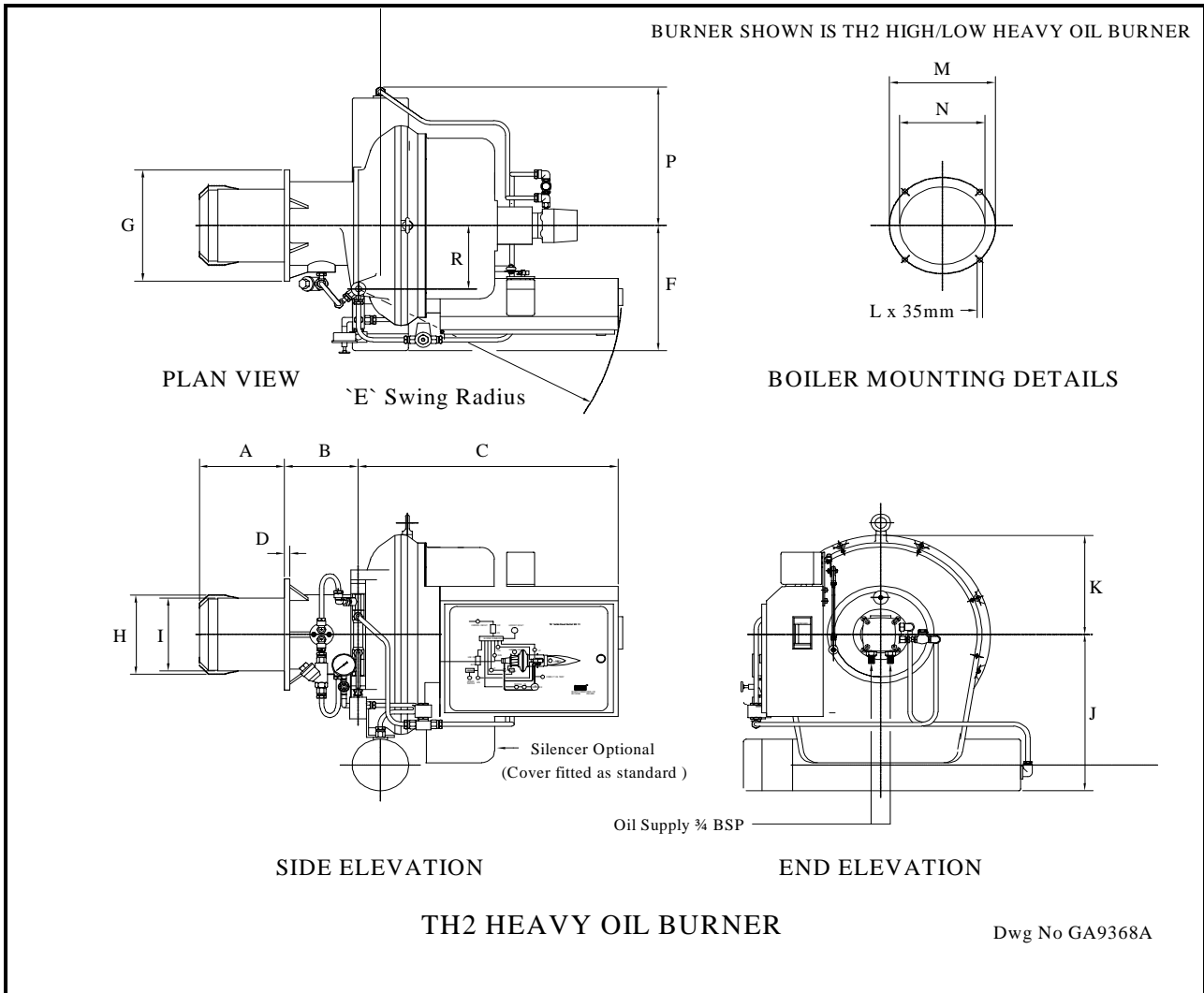


CE



Certificate No. FM 24868
BS EN ISO 9001 : 2000

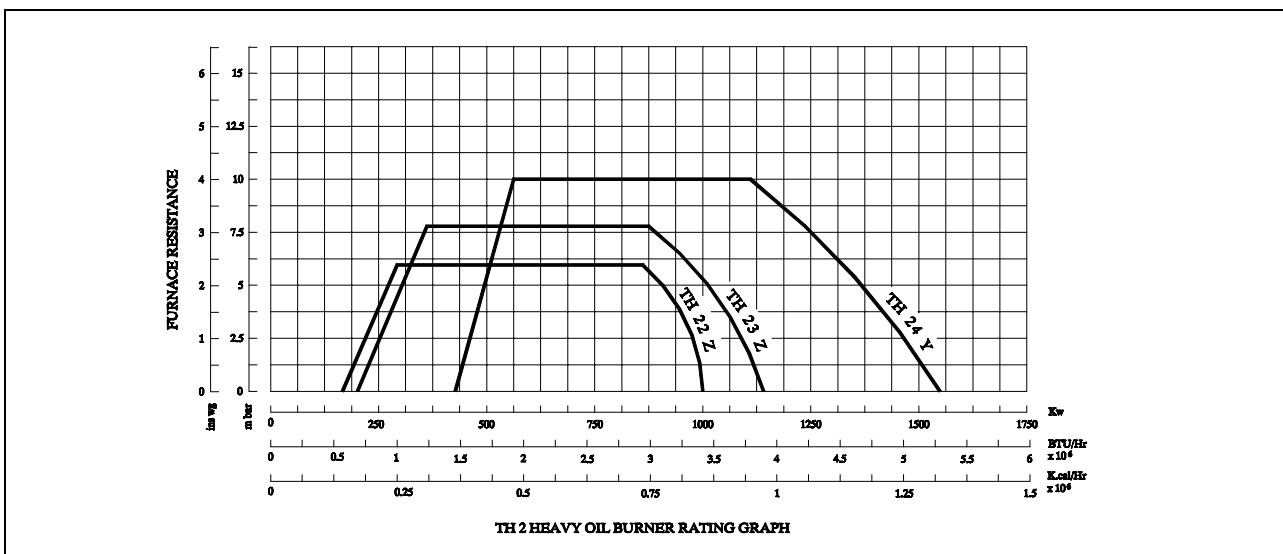
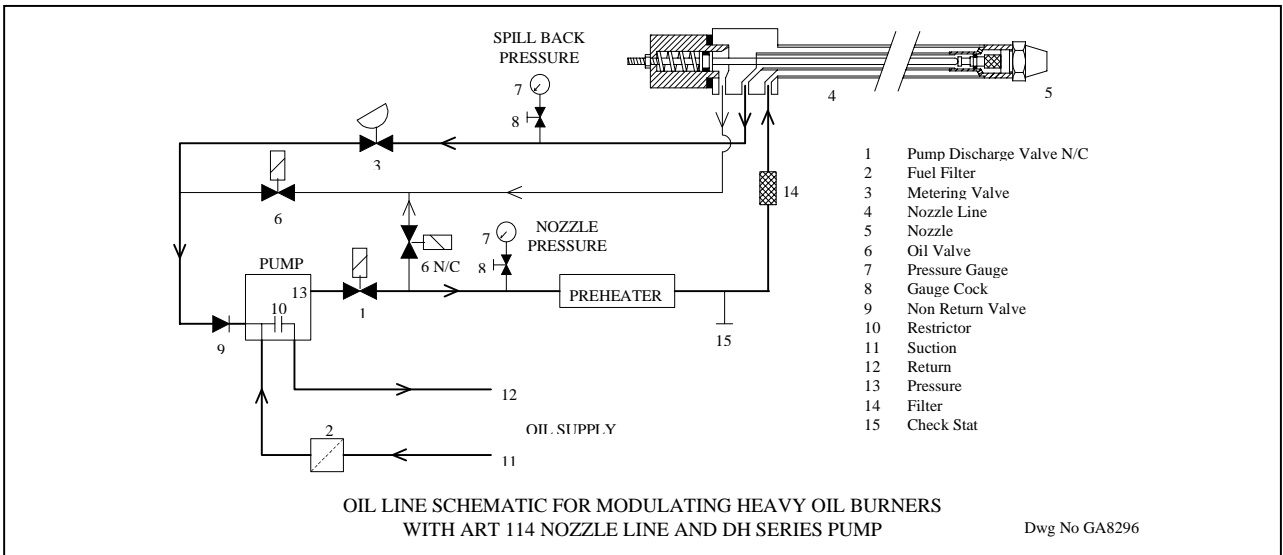
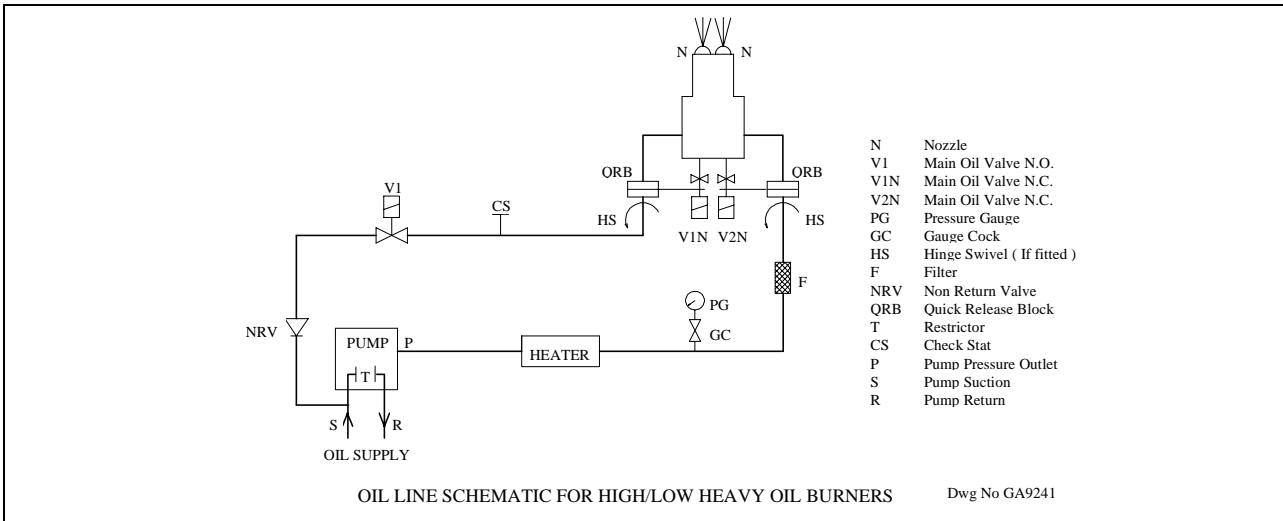
BURNER DIMENSIONS



	A	B	C	D	E	F	G	H	I	J	K	L	M	N	P	R
TH22Z	230	200	703	14	720	372	332		216	464	296	M12	286	223	409	188
TH23Z	230	200	703	14	720	360	332		216	540	296	M12	286	223	360	188
TH24Y	230	200	703	14	720	360	332	235		540	296	M12	286	250	360	188

- ◆ All dimensions in mm unless otherwise stated.
- ◆ Dimension 'A' is the minimum standard dimension and can be varied to suit application, requirements should be stated when unit is ordered.
- ◆ Dimension 'E' is the average swing radius; this can vary on non-standard burners.
- ◆ Burner shown is right-hand hinge; left-hand hinge is an available option.
- ◆ Please check the issue number to ensure validity.

BURNER RATING GRAPH & SCHEMATICS



STANDARD SPECIFICATION DATA

BURNER TYPE	Firing Rate kW		FIRING MODE OPTIONS			Motor kW	Heater kW	Voltage	Hz	Ph	Running Current	Starting Current	Weight
	MIN	MAX	High / Low	Mechanical Modulation	Electronic Modulation*								
TH22Z	160	1000	✓	✓	✓	1.1	4.5	380-420	3	50	10.3 A	22.4 A	117
TH23Z	200	1150	✓	✓	✓	1.5	6.0	380-420	3	50	13.2 A	30.6 A	118
TH24Y	420	1550	✓	✓	✓	2.2	6.0	380-420	3	50	14.4 A	42 A	125

* Fitted with a Ratiotronic 3000 system

Dunphy Combustion Ltd. has a policy of continuous development and reserve the right to change prices and specifications without prior notice